

Package Included:

- 1 * Voice Amplifier
- 1 * Wireless Headset Microphone
- 1 * Charging Cable
- 1 * Charging Plug
- 1 * Audio Cable
- 1 * Adjustable Waistband
- 1 * User Manual

After-sale Service

We provides one year warranty and lifetime technical support.

✉ info@winbridge.com

☎ Toll Free Hotline: +1 (833) 996-2881

If you have any questions, please feel free to contact us, we will try our best to serve you

However, there is no guarantee that interference will not occur in a particular installation. If this equipment does cause harmful interference to radio or television reception, which can be determined by turning the equipment off and on, the user is encouraged to try to correct the interference by one or more of the following measures:

- Reorient or relocate the receiving antenna
- Increase the separation between the equipment and receiver
- Connect the equipment into an outlet on a circuit different from that to which the receiver is connected
- Consult the dealer or an experienced radio / TV technician for help

The device has been evaluated to meet general RF exposure requirement. The device can be used in portable exposure condition without restriction.

16

FCC Warning:

Any changes or modifications not expressly approved by the party responsible for compliance could void the user's authority to operate the equipment.

This device complies with part 15 of the FCC Rules. Operation is subject to the following two conditions:

- (1) This device may not cause harmful interference
- (2) This device must accept any interference received, including interference that may cause undesired operation.

Note:

This equipment has been tested and found to comply with the limits for a Class B digital device, pursuant to part 15 of the FCC Rules. These limits are designed to provide reasonable protection against harmful interference in a residential installation. This equipment generates uses and can radiate radio frequency energy and, if not installed and used in accordance with the instructions, may cause harmful interference to radio communications.

15

Trouble Shooting:

1 No sound from speaker and microphone:

A. Please make sure speaker is NOT on the MUTE status with "M" show on the screen, if it is, please press the MUTE button to fix this issue.

B. Please make sure volume on speaker and mic are on.

C. Please make sure mic pair with speaker successfully.

2 The voice amplifier has distinct howling:

A. Do not point the microphone toward the speaker.

B. Wear the microphone correctly, put the microphone in front of the mouth.

C. In a small room, please turn down the volume properly to avoid howling.

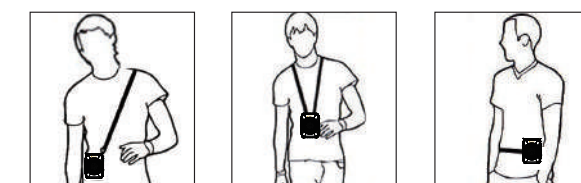
14

9. How to use the SOS function?

Open the side cover, long press the "SOS" button to make a sound, long press the volume key "V+" or "V-" to adjust the volume, if you want to stop using, please short press the "SOS" or "M" key.



How to wear voice speaker:



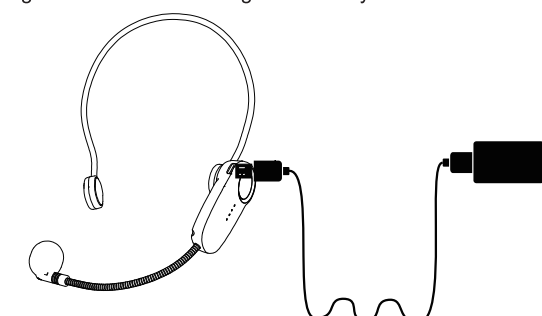
Warm Reminder:

- 1 Take out the amplifier, fasten the waist belt to metal hooks on both sides; Then tie it on the waist or hung on your shoulder, the belt is adjustable.
- 2 Wear the wireless headset microphone, please adjust the position, stay 1 - 2 cm away from the mouth, and turn down the volume first to avoid howling.

13

Please note:

1. Please use a DC 5V power adapter to charge the speaker.
2. Plug adapter into 110-240 AC outlet. Connect the cable end into the DC 5V power input on speaker.
3. Please DO NOT over charge the battery by leaving the system plugged in continuously. This will reduce the life of the internal rechargeable battery and could cause over heating.
4. Please charge the speaker before using it at the first time, unplug after fully charged in time. And please keep the amplifier's battery more than 60% when you don't use it in a long time to avoid to damage the battery.



12

8. How to charge the wireless headset microphone

There are 4 battery indicators on the headset mic and each represent 25%. Please charge it timely when one battery indicator left. There are 4 battery indicators on after fully charged.

Technical Parameters:

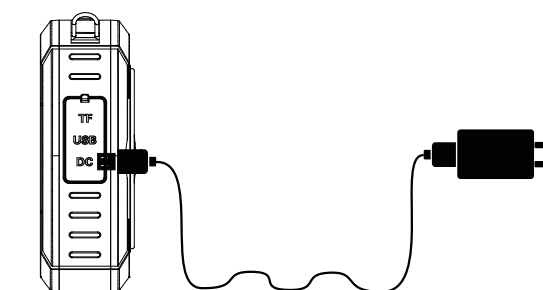
Power output:	20W	Frequency response:	20Hz-20KHz
Battery capacity:	2500mAh	Charging port:	Type-C
Charging voltage:	DC 5V	Speaker working time:	12-15 hours
Headset Mic battery capacity:	500mAh	Speaker charging time:	3 hours
Microphone working time:	5-7 hours	Headset Mic charging time:	1 hour

11

7. How to charge the speaker?

Please charge it timely when battery icon blinks. The battery icon will blink while charging and it will stop blink after fully charged with "100%" show on the screen.

Note: We kindly suggest charge speaker for 3 hours as sometime "100%" doesn't mean fully be charged.

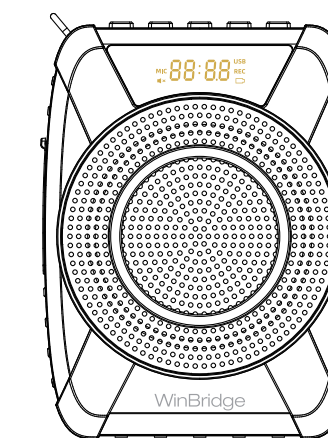


10



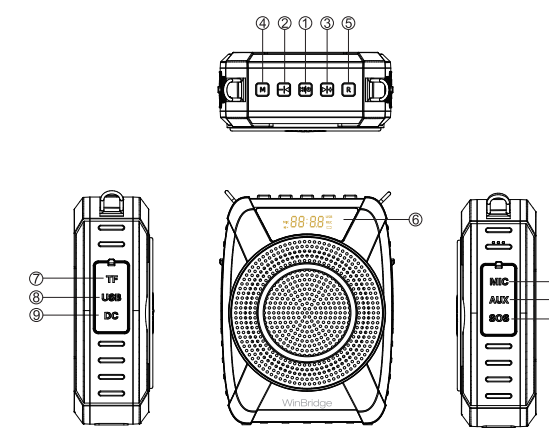
WinBridge

Voice Amplifier User Manual



M801

Function Illustration



1. Power Switch/ Play /Pause/Mute

A: Press the button "P" for 3 seconds to turn on/off.

B: In USB/TF/AUX/Bluetooth mode, short press "P" to play / pause music.

C: In microphone mode, short press "P" to mute / amplify voice.

2.Previous/Volume -

In music playing mode, short press for previous song,long press for volume down.

1

3.Next /Volume +

In music playing mode, short press for next song, long press for volume up.

4.Mode Switch

5.Recording

6.LED Display Screen

7.TF Card Slot

8.USB Slot

9.DC 5V Charging Port

10. Mic-in Jack (support 3.5mm wired mic)

11.AUX Input

12.SOS Button

13.Power Indicator

14.Power On/Off Button

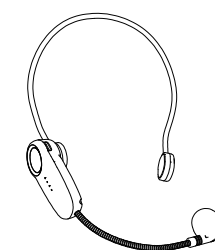
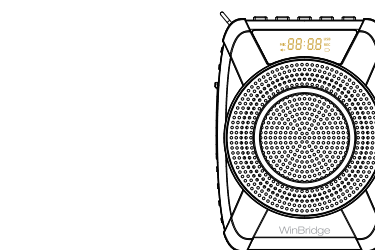
Detailed Introductions

1. How to connect headset mic with speaker

1. Turn on speaker and headset mic, they will be connected automatically by default. At this time, "MIC" indicator will keep constant light on the screen.

2

2. If fail connected, "MIC" indicator will flash on the screen. At this time, please double click the power button on the headset mic until "MIC" indicator keep constant light on the screen, it means that headset mic and speaker are connected successfully.



3

Warm Tips:

1) Voice amplification: 0-20 levels are optional.

2) Please keep the distance between the wireless headset microphone and the speaker within 49ft to keep the signal stable. Otherwise, the wireless microphone will disconnect, and you will need to pair the microphone and the speaker manually.

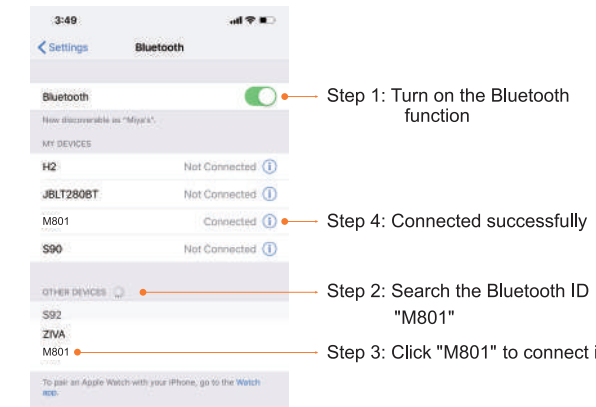
3) **If not in use within 30 minutes, the speaker and mic will enter sleep mode automatically to save power. At this time, please turn on the speaker and mic again.**

4

2. Bluetooth

Short press "M" button to switch to Bluetooth mode with "bLUE" indicator flashing on the display.

How to pair BT with your device:



After connected successfully, the "bLUE" indicator stops blinking with a voice prompt.

Warm Tips:

Please keep the distance between the speaker and your device within 32ft to keep the signal stable when playing audio files.

5

3. How to play TWS?

1. Turn on **two M801 speakers**, click their "M" button to enter Bluetooth mode with indicator ("bLUE") flashing, then long press the **first speaker's** "M" button, the **second speaker's** Bluetooth indicator shows("SLAVE"), it means these two speakers are connected successfully.
2. Turn on your phone or Bluetooth device and search name "M801" to pair. You will hear a prompt voice when connected successfully.

Pls noted: If you want to stop TWS, you only need long press the first speaker's "M" key, then TWS disconnecting.

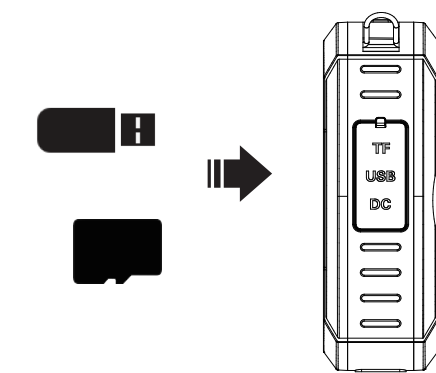
4. How to play audio files by U disk/TF card?

After turning on the speaker, insert a U disk/TF card into USB slot/TF slot, the speaker will enter into USB/TF mode and play audio files in U disk/TF card automatically, the display will occur "USB"/"TF".

6

Warm tips:

1. Please make sure that the U disk/TF Card have audio files (such as: songs, recording files, etc).
2. Short press "P" / "M" to switch to previous / next audio files. Long press "P" / "M" to adjust the volume.
3. Long press "M" button to enter into single repeat firstly with "ONE" show on the screen, long press again to enter into all repeat with "ALL" show on the screen.
4. The U disk/TF Card is NOT included.



7

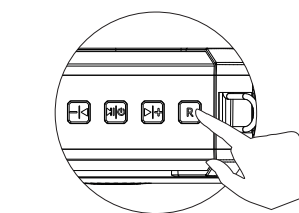
5. How to play recording?

Please make sure you have inserted USB Flash Drive /TF Card and wired microphone, or please pair the wireless headset microphone FIRST

1. Short press the "R" button to start recording, the recording time (such as 00:01) and "REC" will flash on the screen.
2. Short press the "P" button to quit recording, and the recording files will be saved automatically.
3. Long press the "P" button to play recording files.

Noted:

- 1) Short press "P" / "M" to switch to the previous / next audio files.
- 2) Support Bluetooth and MIC recording at the same time, which means you can record while playing music via Bluetooth. (Please pair headset mic with speaker prior to Bluetooth, otherwise record with Bluetooth music can not be done).

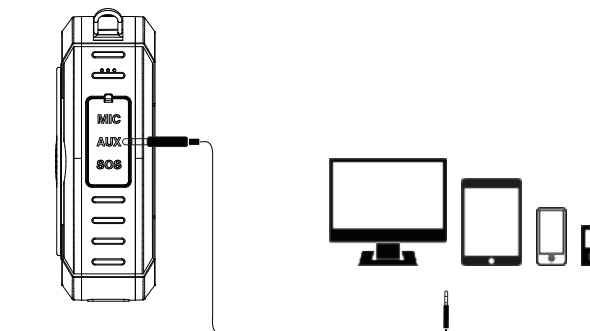


8

6. How to play audio files by Aux cable?

Plug the 3.5mm audio cable into the Aux jack, the speaker will enter into Aux mode and play audio files by your device automatically, the screen shows "AUX"

Audio Format supported:



9